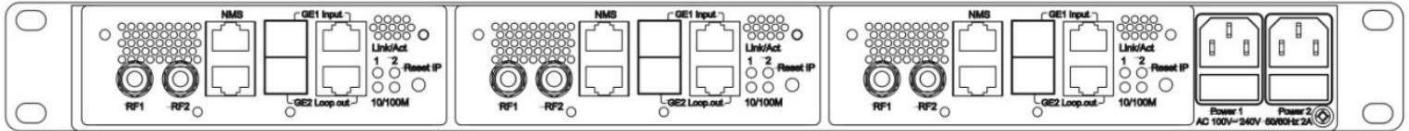


# HD2900-4R

## IP to COFDM DVB-T Transmodulator



The TeleDelta HDS2900-4R broadcast transmodulator is a rack-mounted solution for broadcasters, Internet TV (IPTV), transmission locations and venues that require a combination of IP / IPTV distribution and digital television.

The HDS2900-4R is a modular solution, each module can ingest up to 256 IP / port channel (UDP / RTP) and output those IP channels on 4x COFDM DVB-T carriers.

Per 1RU chassis allowing upwards of 768 IP / port channels and 12 x COFDM DVB-T outputs.

### HDS2900-4R Key Features

- Ingest Up to 768 IP / IPTV Channels
- Output channels as COFDM DVB-T
- Modular design allows for flexibility
- Tables and Channel Management
- Dual power-supply for redundancy
- IP / SNMP Management and Control
- Compact 1RU chassis design

### Common Applications

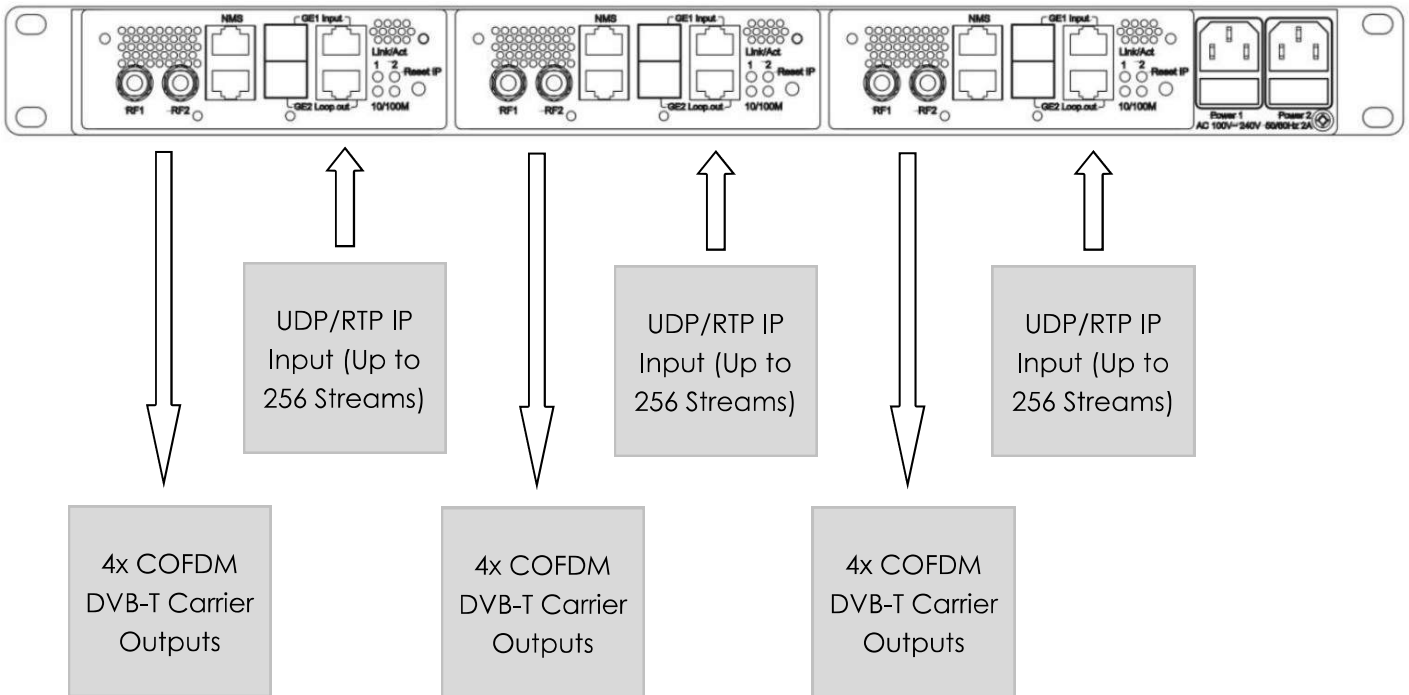
- IPTV / DVB-T Networks
- Broadcast Facility Play-out
- Live / Streaming Platforms
- Mining Camps
- Enterprise Deployments
- Retirement Villages
- Broadcast Transmission

For more information please contact your local distributor or [sales@teledelta.com](mailto:sales@teledelta.com)



# HDS2900-4R

## Configuration Diagram



### Physical Configuration

- Up to 3x modules per 1RU chassis
- Dual power supplies per 1RU chassis
- RJ45 and SFP IP connections
- Independent network management connection + SNMP
- 2x F-type DVB-T outputs per chassis (2x DVB-T carriers per connector)



### Ordering Options

Part No.	Ordering Suffix	Description
HDS2900-4R-FRAME		HDS2900 1RU Frame, dual power-supplies
HDS-4R-MOD		4R Module - Up to 256 IP Stream Inputs, 2x COFDM DVB-T outputs, built-in network management

### Ordering Models

HDS2900-4R1	HDS2900-4R1	HDS2900 1RU Frame, dual power-supplies with single module (256 IP in and 4x DVB-T carrier output)
HDS2900-4R2	HDS2900-4R2	HDS2900 1RU Frame, dual power-supplies with two modules (512 IP in and 8x DVB-T carrier output)
HDS2900-4R3	HDS2900-4R3	HDS2900 1RU Frame, dual power-supplies with three modules (768 IP in and 12x DVB-T carrier output)

### HDS2900-4R Specification

Module Configuration	
Inputs	1x RJ45 + 1x SFP (plus 1x RJ45 / SFP redundancy)
IP Input format	UDP/RTP transport stream (SPTS/ MPTS) support IGMP V2/3
IP Throughput	Up to 830Mbps
<b>Internal Module Configuration</b>	
No. Input Streams	Up to 256
PID pass-through	Up to 180
PID re-mapping	User selectable
PCR Adjustment	Yes
PSI / SI Tables	Automatically generated

Module COFDM DVB-T Output	
Outputs (Physical)	2x F-type connectors, 75ohm
No. COFDM Carriers	4x carriers (2 per F-type connector)
RF Carrier Frequencies	40 ~ 960Mhz
Constellation	QPSK, 16QAM, 64QAM
FEC Modes	1/2, 2/3, 3/4, 5/6, 7/8
Guard Interval	1/4, 1/8, 1/16, 1/32
COFDM spectrum	2K and 8K
Signal Level	-16 ~ 0dBm
Channel Bandwidth	7Mhz
MER	>40

Physical Configuration	
Dimensions	640 x 445 x 44mm
Weight	9.5kgs
Power	220~240v 50hz

